

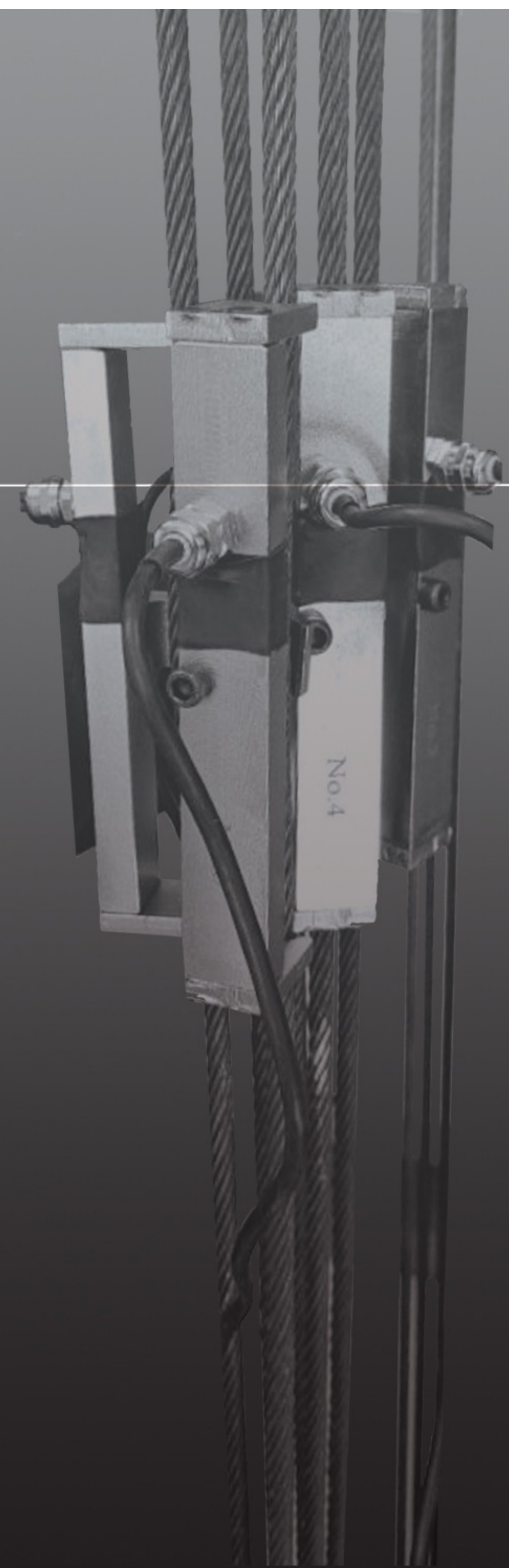
PG304

RTMS

Rope Tension Monitoring System

Maintaining uniform rope tension is one of the most critical aspects of elevator installation and operation, especially in gearless systems. Unequal rope tension can result in:

- **Sheave and Rope Wear**
- **Elevator Cabin Vibrations**
- **Increased Wear and Tear on Motors and Rails**



PG304

Rope Tension Monitoring System

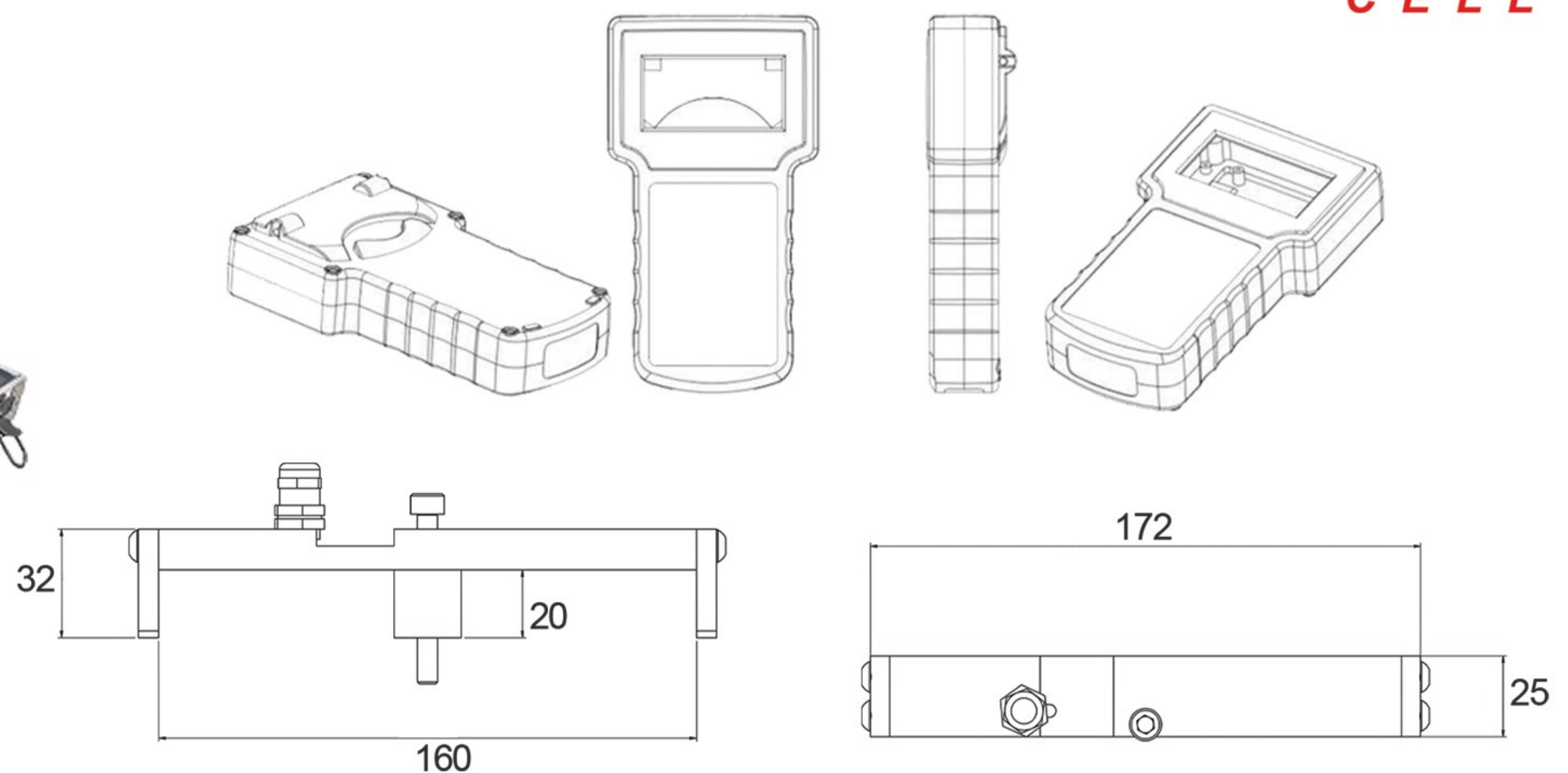
TurboCell's RTMS is equipped with 8 high-precision sensors, each installed on individual ropes to measure and display the tension through an advanced monitor. This allows for quick and precise adjustment of each rope's tension, ensuring optimal performance and longevity of elevator components.



Key Features

1. 8 High-Precision Sensors – Dedicated to each individual rope.
2. Calibration-Free Operation – Eliminates setup time and ensures accuracy.
3. User-Friendly Interface – Intuitive and easy to operate.
4. Advanced Display Unit – Simultaneously monitors all 8 sensors.
5. Durable Carrying Case – The tool comes in a specially designed carrying case that protects the sensors from damage and includes all necessary accessories for operation.
6. Quick Installation – Designed for fast and hassle-free setup.

PG304 Data sheet



Specifications

Specifications for each Loadcell Sensors

Nominal Weight	1000 Kg
Maximum Load Capacity	1500 kg
Sensor Excitation Voltage.....	≥ 10 V
Output Type.....	4-wire load cell
Sensitivity	$2 \pm 0.1\%$ mV/V
Accuracy	$\pm 0.1\%$ FS
Operating Temperature.....	-20°C to $+60^{\circ}\text{C}$
Body Material	Heat-treated steel with chrome-nickel coating
Protection Class	IP66
Cable Length	2m
Number of sensors	8

Specifications - Controller

Input Voltage	9VAC
Max Current Consumption	Less than 500 mA
Number of sensor's input channel	8
Protection Class	IP65
Display type	graphical LCD

Power Adapter Specifications

Input Voltage	220 VAC
Output Connector	Single Pin Connector
Plug Type	Standard two-pin plug
Current Rating	1000 mA
Output Voltage	9 VDC